



# PROLEC



3 PHASE          PADMOUNTED TRANSFORMER          CLASS ONAN

65°C    RISE    60 HERTZ    MFG DATE          SER

KVA 2500

IMPEDANCE @ 85°C  
RATED VOLTS          %

HV 34500GrdY/19920

ORDER NUM RDU510

LV 480

BIL HV 150

BIL LV 30

MAT HV AI

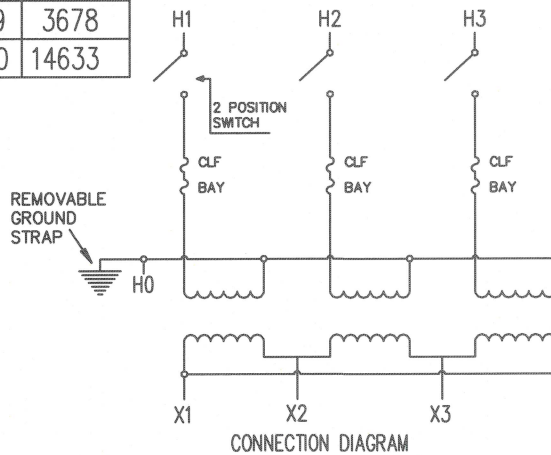
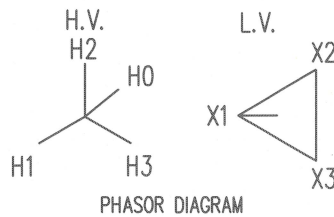
MAT LV AI

### STEP-UP OPERATION

GALLONS OF OIL TYPE I	490
-----------------------	-----

MASS	kg	pounds
CORE & COIL UNTANKING (HEAVIEST PIECE)	2768	6100
TANK	2203	4855
LIQUID OIL TYPE I	1669	3678
TOTAL WT	6640	14633

TAP CHANGER		
TAP POS	VOLTAGE	65°C AMPS
1/A	36225	39.8
2/B	35362	40.8
3/C	34500	41.8
4/D	33637	42.9
5/E	32775	44.0



MAXIMUM OPERATING PRESSURES OF LIQUID PRESERVATION SYSTEM: 48kPa (7 lbf/in<sup>2</sup>) POSITIVE AND 34 kPa (5 lbf/in<sup>2</sup>) NEGATIVE  
 TANK DESIGNED FOR 48kPa (7 lbf/in<sup>2</sup>) VACUUM FILLING  
 LIQUID LEVEL BELOW TOP SURFACE OF THE HIGHEST POINT OF THE HIGHEST HANDHOLE FLANGE AT 25°C IS 133 mm (5.2 in)  
 LIQUID LEVEL CHANGES 9 mm (0.4 in) PER 10°C CHANGE IN LIQUID TEMPERATURE  
 PERCENT IMPEDANCE STATED ABOVE AT RATED VOLTS AT 2500 KVA  
 CAUTION BEFORE OPERATING READ INSTRUCTION GEI-79025M  
 CONTAINS NO DETECTABLE LEVEL OF PCB (LESS THAN 1 PPM) AT THE TIME OF MANUFACTURE



MADE IN MEXICO    PROLEC GE INTERNACIONAL S. DE R.L. DE C.V.    www.prolecge.com



IMPEDANCE MEETS ANSI STANDARDS  
 WITH TOLERANCE OF +/-7.5%  
 ACTUAL TESTED IMPEDANCE WILL BE  
 STAMPED ON NAME PLATE

REV.

Draftman : AUDI	Customer/Project Name : PHILIPS BROS ELECTRICAL	Cat. Number :
Review: JQV	Title : NAMEPLATE	
App: JQV	Description : 2500 KVA, 3 PHASE, 60 HERTZ, 34500GrdY/19920-480 VOLT 65 oC WYE - DELTA COOLING ONAN	
Sheet 1 of 1		DRAWING NUMBER:
Rev. 0		RDU510C0A

